



# **J-CRAFT'S**

# ***TAILGATE***

# ***SANDER***

[www.j-craftinc.com](http://www.j-craftinc.com)  
[JCraftSales@tbei.com](mailto:JCraftSales@tbei.com)  
(800) 763-6017

DATE PURCHASED \_\_\_\_\_

SANDER SERIAL NUMBER \_\_\_\_\_

DEALER \_\_\_\_\_

ADDRESS \_\_\_\_\_

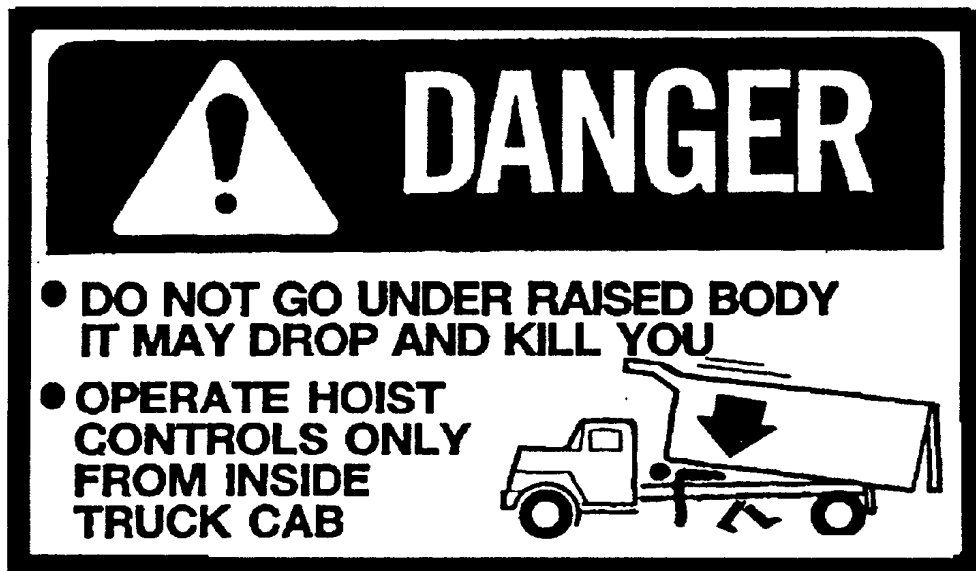
PHONE \_\_\_\_\_

### FOREWORD

This tailgate sander is designed to fit 96 inch wide dump bodies. It is available in six configurations to match the desired sand or salt delivery rate and the body design.

This manual contains information for mounting the tailgate sander on a dump body. Study it carefully before attempting to mount the tailgate sander. With proper installation, use, and regular maintenance, the tailgate sander will give many years of trouble free service.

When ordering parts, be sure to give the serial number of the tailgate sander. The serial number of the sander is stamped into the right end (passenger side) panel near the auger drive motor. For future reference, record this number NOW in the space provided above. Order parts by number and description as given in the parts listing in this manual.



## TABLE OF CONTENTS

FOREWORD	2
SAFETY PRECAUTIONS	4
SPECIFICATIONS	4
SAFETY DECAL LOCATIONS	5
ASSEMBLE SANDER MOUNTS	7
LOCATE SANDER	7
LOCATE SANDER MOUNTS	8
ASSEMBLE SUPPORT STRAPS	9

## SAFETY PRECAUTIONS

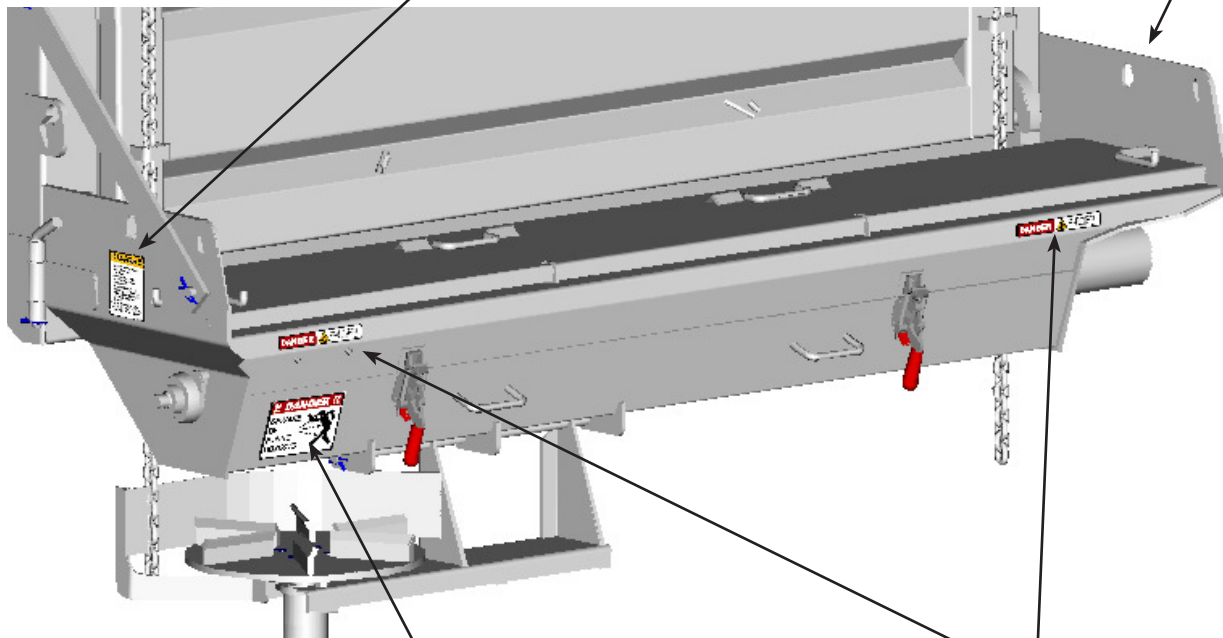
1. Improper use or maintenance of this equipment can cause serious injury. To reduce this possibility, know how this equipment works, how to maintain it and, when using it, give it complete and undivided attention.
2. Learn the controls, know how to control this equipment quickly in an emergency.
3. Operate this equipment safely. Keep all individuals not involved in the operation of this equipment a safe distance away.
4. Allow only trained personnel to operate this equipment.
5. Always wear relatively tight fitting and belted clothing when operating or maintaining this equipment. Loose fitting jackets, shirts or other baggy clothing can become caught in moving parts or on controls.
6. Shut off all controls for this equipment before starting the engine so equipment will not start when the engine is started.
7. Shut off all controls for this equipment and the truck engine before performing any cleaning, maintenance or when storing the equipment.
8. Always check the area around the truck to make sure it is clear before operating this equipment.
9. When leaving the truck unattended, take steps to secure the truck from untrained operators or unintended movement. Shut off all hydraulic controls, the engine, set the parking brake and remove the key.
10. Before storing this equipment, be sure to release any trapped hydraulic pressure.
11. Replace any damaged or unreadable safety decals. Place them as shown in Fig. 1 on page 5.

## SPECIFICATIONS

- |                       |                  |  |
|-----------------------|------------------|--|
| 1. Operating Pressure | 1500 PSI Maximum |  |
| 2. Auger Flow Rate    | 0-14 GPM         |  |
| 3. Spinner Flow Rate  | 0-7 GPM          |  |
| 4. Hydraulics         | Fluid            | - ISO 32 Hydraulic Fluid or Dexron III   |
|                       | Filtration       | - 10 micron Return Line                  |
| 5. Auger              | 6"               | 6" Diameter, 4" Pitch, 3/8" AR Flighting |
|                       | 9"               | 9" Diameter, 6" Pitch, 3/8" AR Flighting |
| 6. Materials          | Trough           | - 201 Stainless Steel                    |
|                       | Spinner Mount    | - 201 Stainless Steel                    |
|                       | Auger            | - Steel                                  |

# SAFETY DECAL LOCATIONS

One on each end  
of the sander.  
P/N 1309633



On sander  
clean-out door,  
above spinner.  
P/N 1309632



On rear frame of sander,  
one on each side.  
P/N 1309631

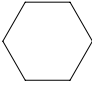
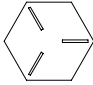
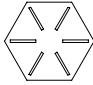
Fig. 1

# INSTALLATION INSTRUCTIONS

## GENERAL INFORMATION

It is a good idea to look through these installation instructions before beginning to mount the hoist and hydraulic system.

When welding, protect the truck's electrical, air and brake systems by disconnecting, removing or covering. Tighten all nuts and bolts to a consistent level. Use the following table for torque values.

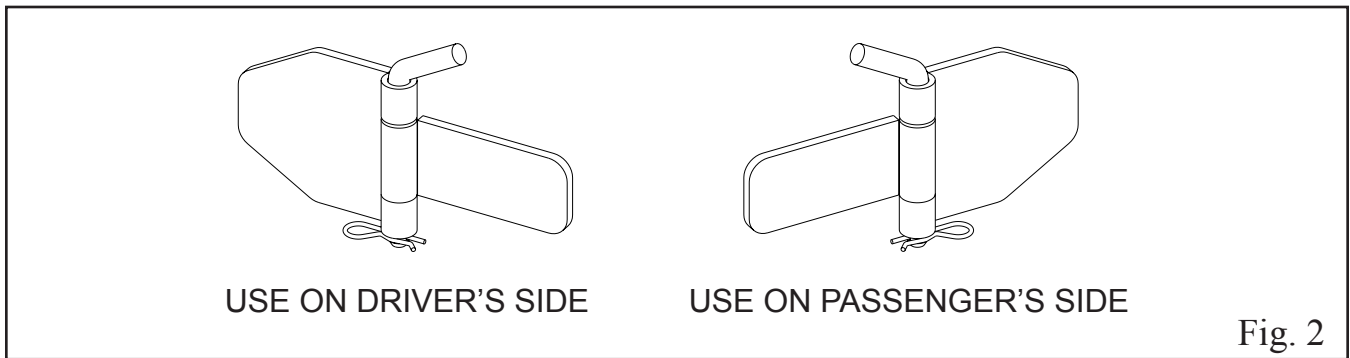
Size	Grade 2 Torque	Grade 5 Torque	Grade 8 Torque
			
1/4-20	3-4 lb-ft	6-7 lb-ft	10-11 lb-ft
1/4-28	4-5 lb-ft	8-9 lb-ft	11-12 lb-ft
5/16-18	8-9 lb-ft	14-15 lb-ft	21-22 lb-ft
5/16-24	9-10 lb-ft	15-16 lb-ft	21-22 lb-ft
3/8-16	17-18 lb-ft	24-26 lb-ft	37-40 lb-ft
3/8-24	19-20 lb-ft	28-30 lb-ft	40-43 lb-ft
1/2-13	38-42 lb-ft	60-65 lb-ft	90-100 lb-ft
1/2-20	43-47 lb-ft	70-75 lb-ft	95-105 lb-ft
5/8-11	75-80 lb-ft	122-130 lb-ft	180-190 lb-ft
5/8-18	85-90 lb-ft	145-150 lb-ft	200-210 lb-ft
3/4-10	132-140 lb-ft	220-230 lb-ft	315-330 lb-ft
3/4-16	152-160 lb-ft	250-260 lb-ft	355-370 lb-ft

The following abbreviations are used in describing hydraulic fittings.

ORBM	O-Ring Boss - Male Thread
NPTM	Pipe - Male Thread
NPTF	Pipe - Female Thread
JICM	JIC 37° - Male Thread
JICF	JIC 37° - Female Thread

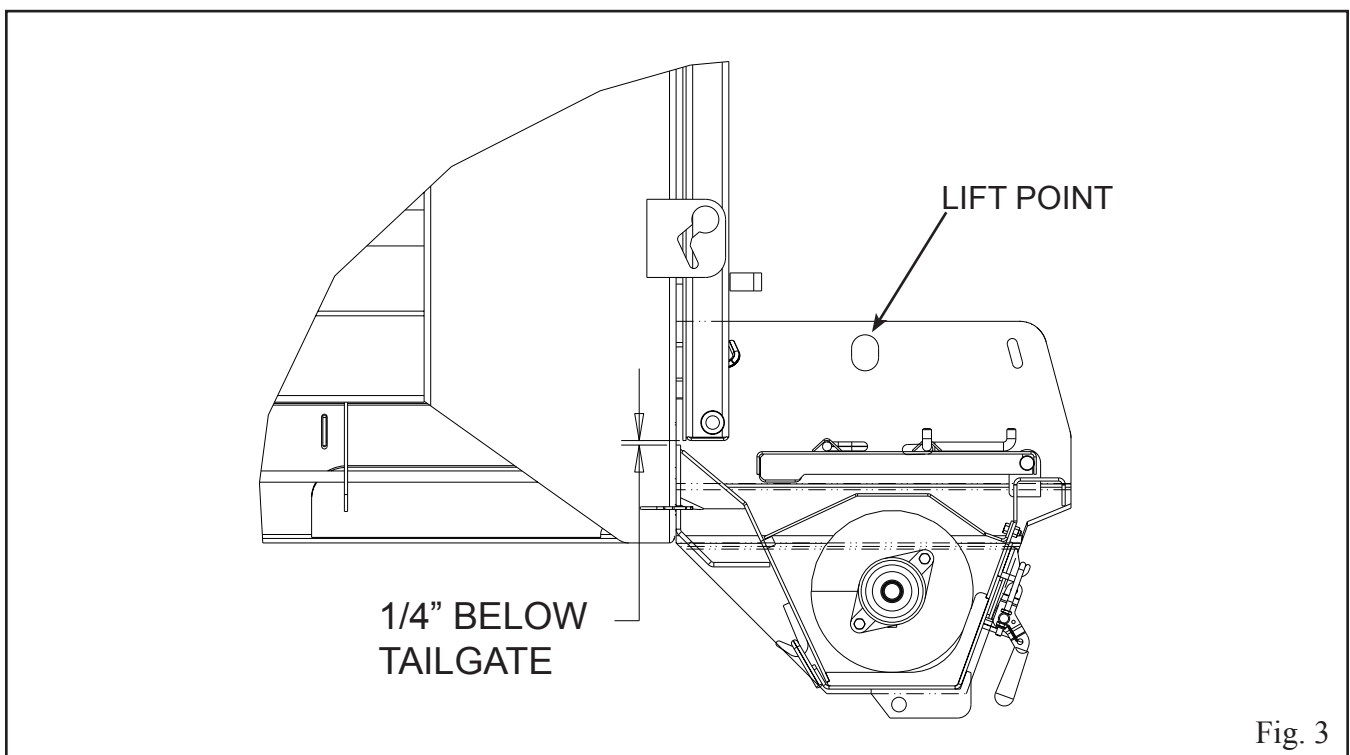
## ASSEMBLE SANDER MOUNTS

Assemble the sander mounts as shown in Fig. 2. These will be used to attach the sander to the body.



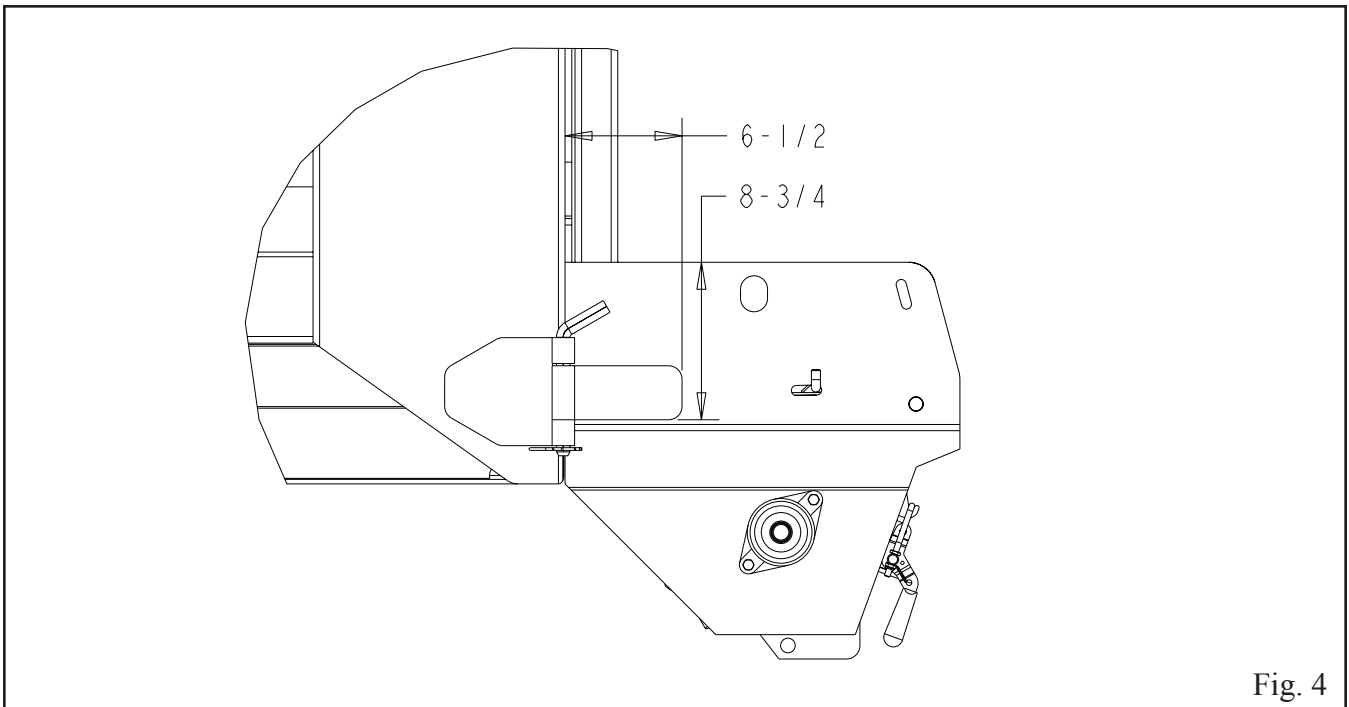
## LOCATE SANDER

The front of the sander is designed to fit against the rear crossmember of the body, under the floor. Using a spreader chain connected at the lift points of the sander and an overhead hoist, position the sander against the back of the dump body under the tailgate as shown in Fig. 3.

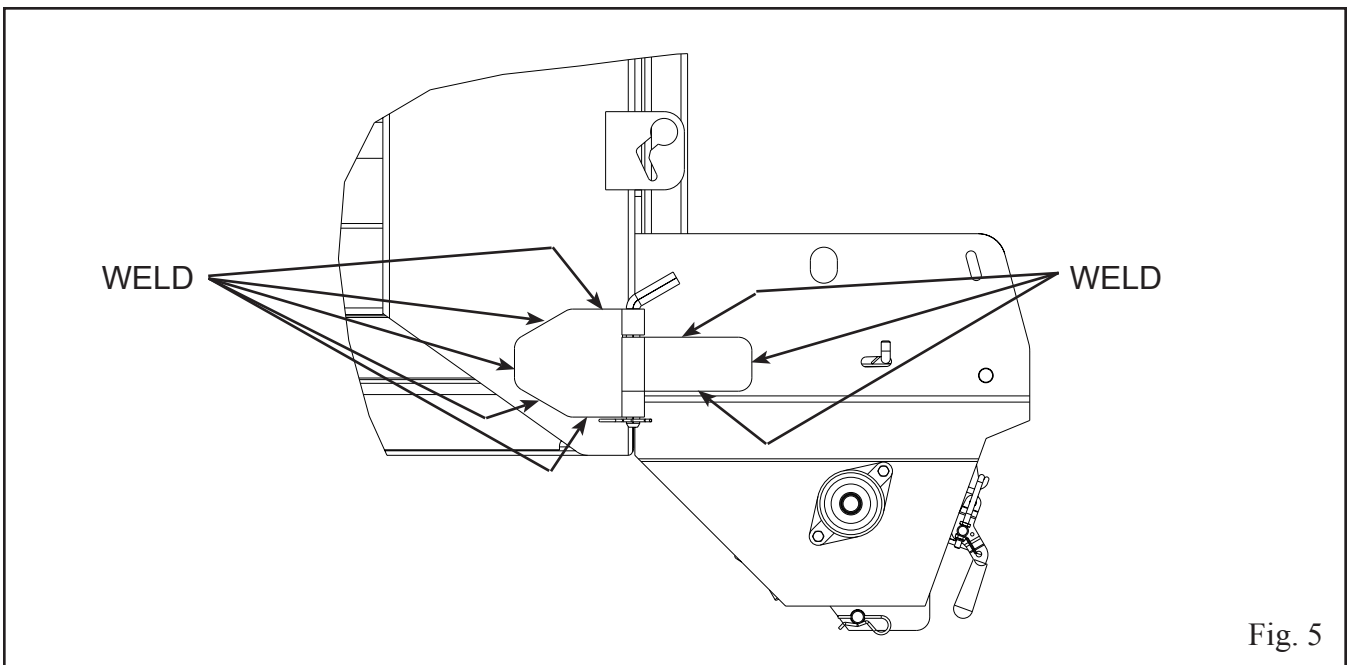


## LOCATE SANDER MOUNTS

Locate the sander mounting brackets to the outside of the sander and to the outside of the rear corner posts of the dump body as shown in Fig. 4. Clamp them in place.



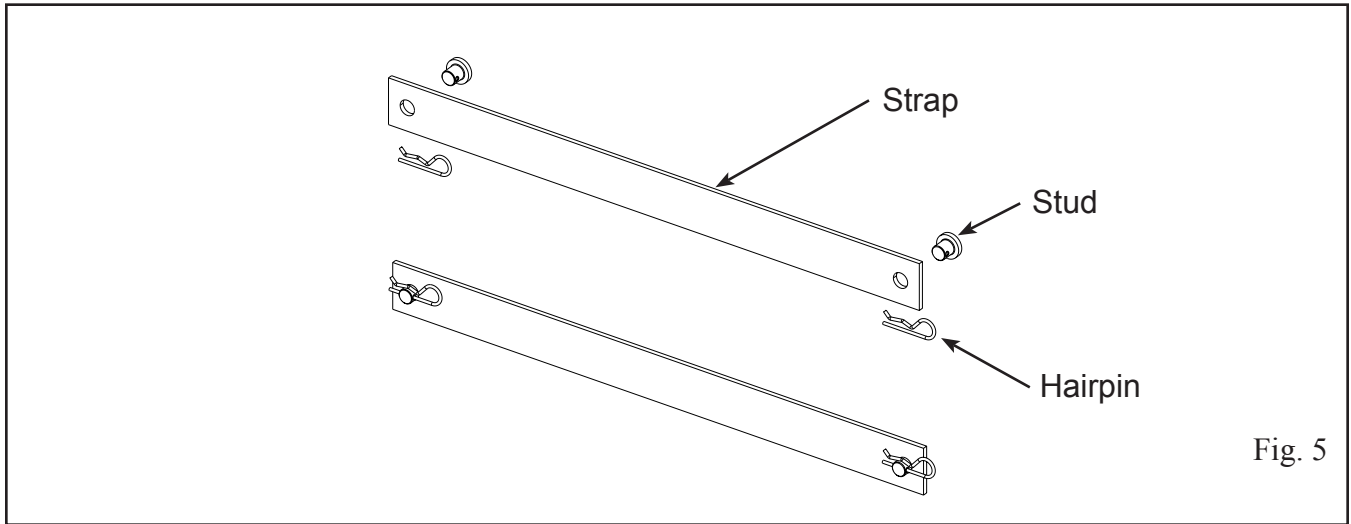
Depending on the overall widths of the body and sander, it might be necessary to put shims under the sander mounts. If needed, install these shims before welding the sander mounts to the body and to the sander. Weld the mounts to the body and to the sander as shown in Fig. 5.



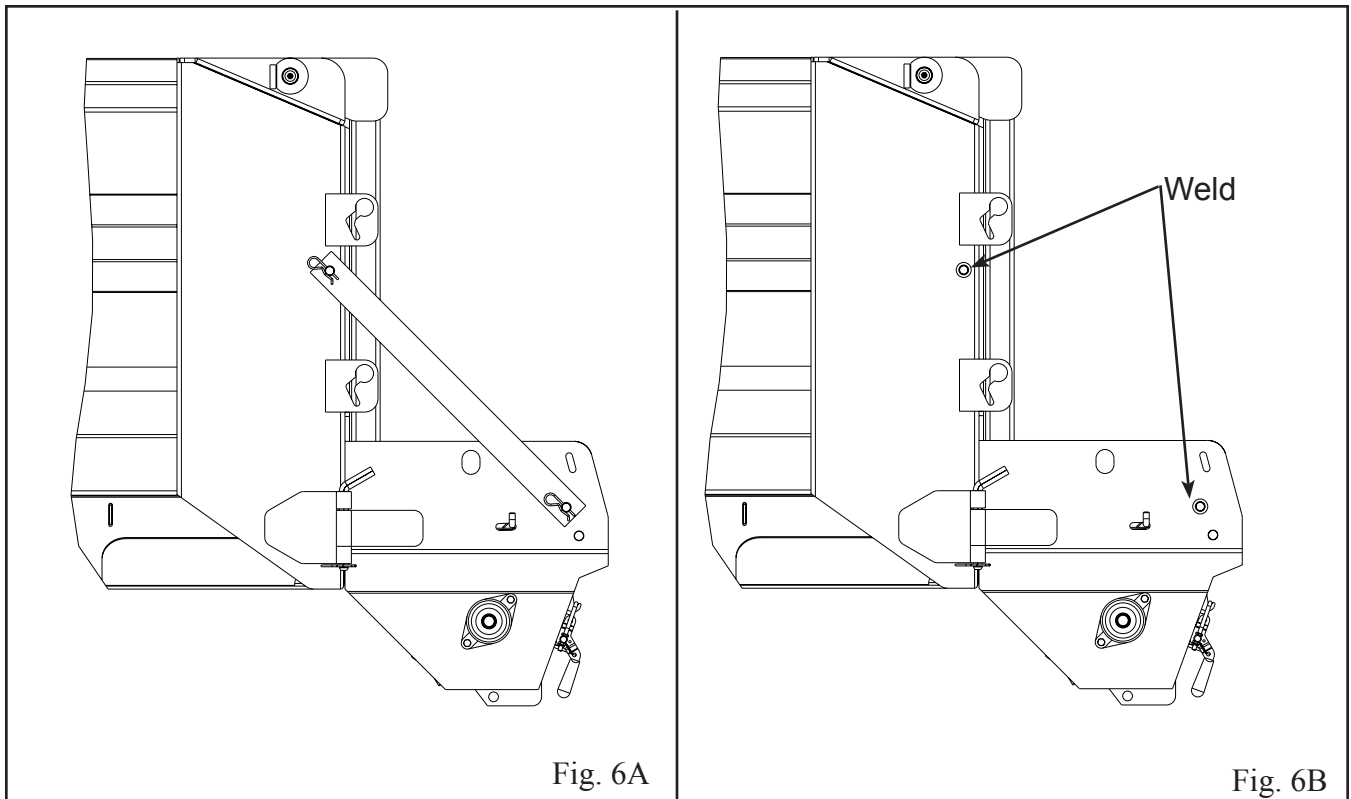


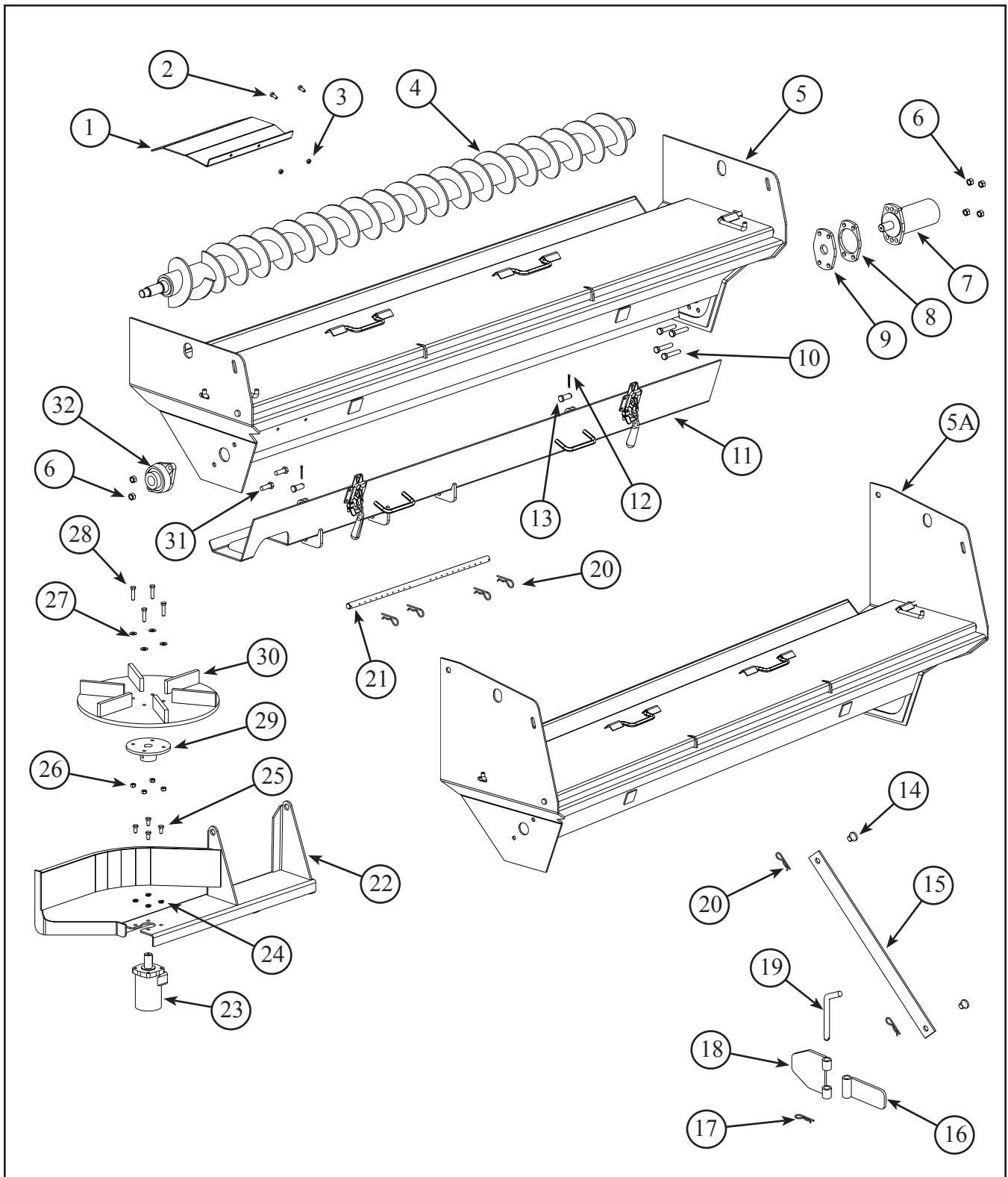
## ASSEMBLE SUPPORT STRAPS

Assemble the two studs, two hairpins to each support strap as shown in Fig. 5.



Place one assembled strap on each side of the dump body approximately as shown in Fig. 6A. Tack weld the studs to the body and to the sander. Remove the hairpins and straps and fully weld the studs to the body and to the sander. (See Fig. 6B.) Reinstall the straps and hairpins. Remove the spreader chains.





ITEM	DESCRIPTION	MODEL	NUMBER	QTY
1.	SHIELD AUGER - 6"	6"	1283137	1
	SHIELD AUGER - 9"	9"	1283155	1
2.	HEX HD SCREW 5/16-18 X 3/4 SS	ALL	1644455	2
3.	HEX NUT 5/16-18 SS	ALL	1620499	2

ITEM	DESCRIPTION	MODEL	NUMBER	QTY
4.	AUGER - 6"	6"	1385860	1
	AUGER - 9"	9"	1361368	1
5.	ASSY TROUGH - SPREADER 6" STD	6" STD	1362531	1
	ASSY TROUGH - SPREADER 9"	9" STD	1361365	1
5A.	ASSY TROUGH - SPREADER 6" SLDR	6" HIGH	1385863	1
	ASSY TROUGH - SPREADER 9" SLDR	9" HIGH	1362528	1
6.	HEX NUT 1/2-13 SS	ALL	1644893	6
7.	HYDRAULIC MOTOR - 23.8 CID FORCE FH	6" STD	1294382	1
	HYDRAULIC MOTOR - 45.6 CID WHITE RE	6" SALT & 9"	1294381	1
8.	PLATE AUGER MOTOR MOUNT - 23.8 CID MOTOR	ALL	1265580	1
9.	PAD AUGER MOTOR MOUNT	ALL	1645207	1
10.	HEX HD SCREW 1/2-13 X 2 1/2 SS	ALL	1644891	4
11.	ASSY TROUGH BOTTOM - SPREADER - 6"	6"	1362533	1
	ASSY TROUGH BOTTOM - SPREADER - 9"	9"	1361372	1
12.	CLEVIS PIN 5/8 X 1 1/2 SS	ALL	1645064	2
13.	COTTER PIN 5/32 X 1 1/4 SS	ALL	1361369	2
14.	STUD SPREADER SUPPORT	STD	1258144	4
	STUD SPREADER SUPPORT - LONG	HIGH	1260744	2
15.	STRAP SPREADER SUPPORT	STD	1258154	2
16.	ASSY SPREADER MOUNT - SPREADER	ALL	1283157	2
17.	HAIR PIN #11	ALL	1620139	2
18.	ASSY SPREADER MOUNT - BODY	ALL	1258152	2
19.	PULL PIN - SPREADER MOUNT	ALL	1258156	2
20.	HAIR PIN #11	ALL	1620139	8
21.	SHAFT SPINNER HANGER	ALL	1234297	1
22.	ASSY SPINNER MOUNT	ALL	1361375	1
23.	HYDRAULIC MOTOR - 2.8 CID EATON H	ALL	1361371	1
24.	LOCK WASHER 3/8 SS	ALL	1644119	4
25.	HEX HEAD SCREW 3/8-16 X 3/4 SS	ALL	1361373	4
26.	HEX NUT 3/8-16 SS	ALL	1643589	4
27.	FLAT WASHER 3/8 SS	ALL	1644118	4
28.	HEX HEAD SCREW 3/8-13 X 1 1/2 SS	ALL	1645094	4
29.	SPINNER HUB	ALL	1645157	1
30.	SPINNER - 18" POLY	ALL	1645158	1
31.	HEX HEAD SCREW 1/2-13 X 1 1/2 SS	ALL	1645009	2
32.	BEARING 2-BOLT 1.250	ALL	1645153	1

## WARRANTY

- J-Craft's Warranty is for a period of two (2) years after the date of manufacturer's invoice.
- This warranty covers this sander for defective material and/or workmanship.
- This warranty is limited to product manufactured by J-Craft Inc. and does not cover modifications. Repair or replacement is at J-Craft's option. J-Craft will not assume responsibility for travel, loss of use, or downtime expenses. This warranty is void if the product has been obviously abused, subjected to other than intended usage, or modified from its original design. There are no other warranties except as described above, and J-Craft makes no warranty of fitness for a particular purpose.

## **!! CAUTION !!**

1. OPERATE THIS EQUIPMENT ONLY FROM A SAFE LOCATION.
2. KEEP HANDS, FEET AND CLOTHING AWAY FROM MOVING PARTS.
3. SET PARKING BRAKE ON VEHICLE AND SHUT OFF ALL POWER TO THIS EQUIPMENT BEFORE SERVICING OR CLEANING.
4. SECURELY SUPPORT THIS EQUIPMENT WHEN MOUNTING, DIS-MOUNTING OR STORING.

P/N 1309633